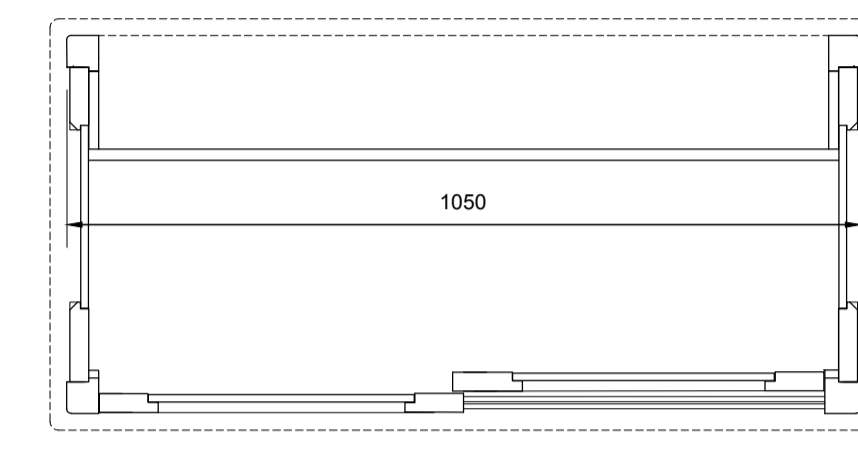
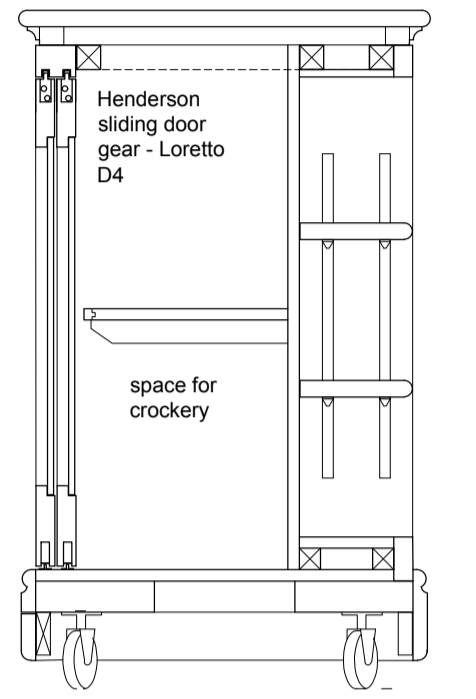


PLAN VIEW
Scale: 1:10

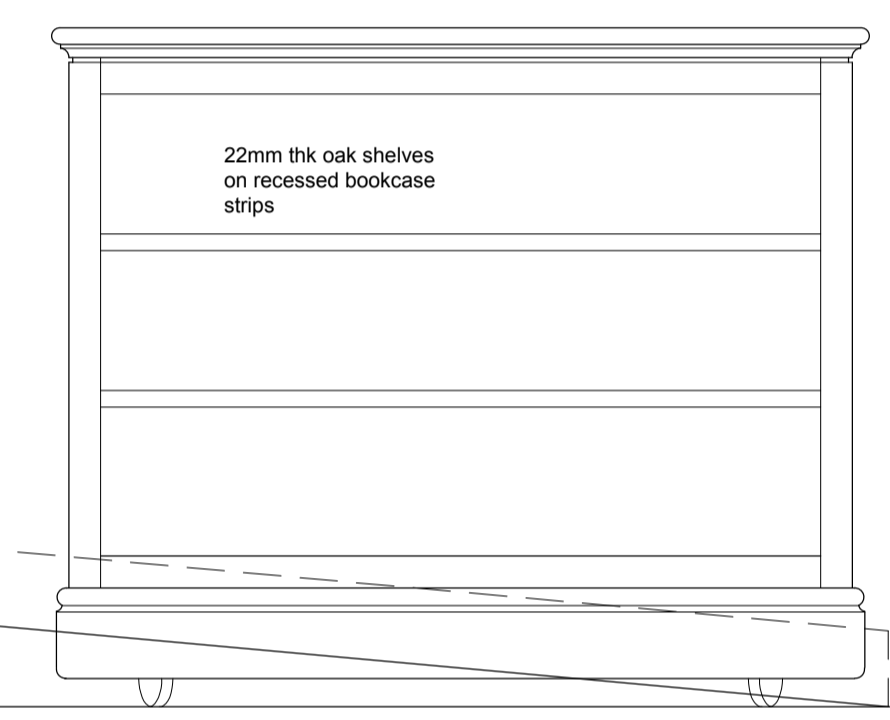
Bi fold doors



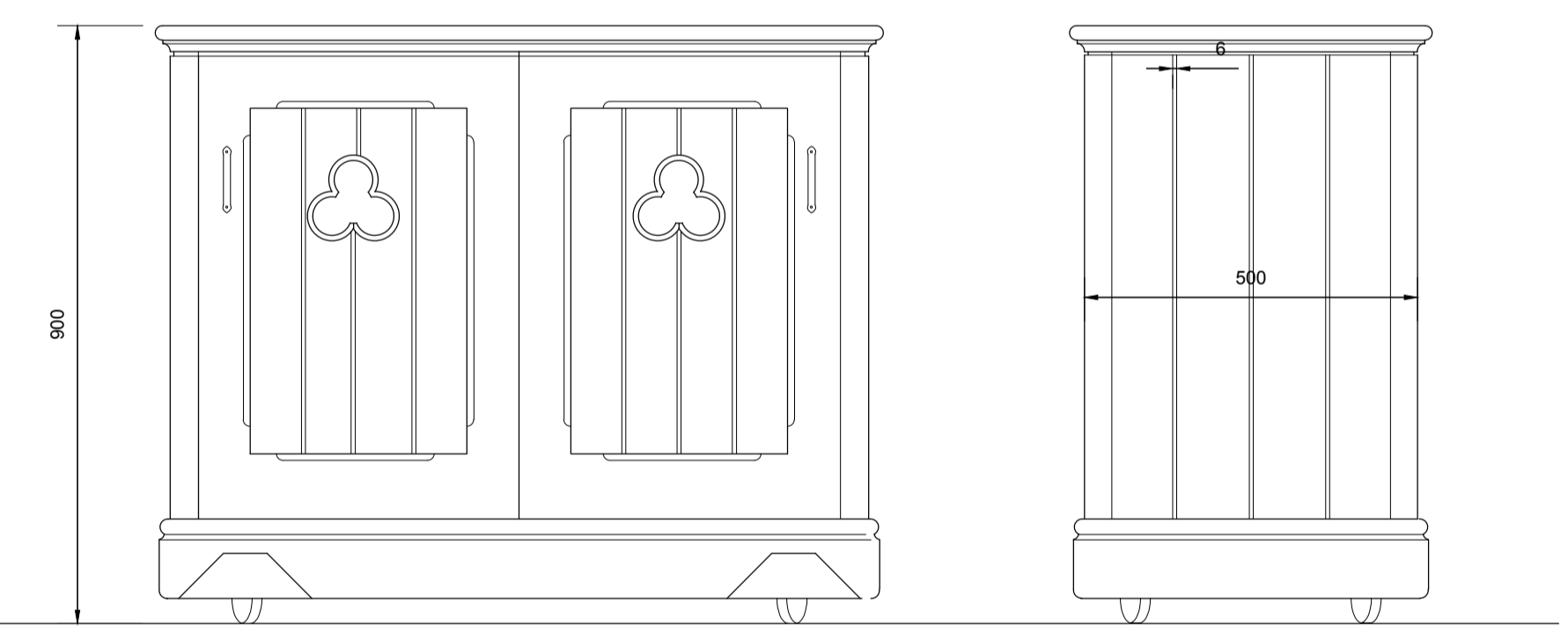
MOBILE UNIT - PLAN VIEW
Scale: 1:10



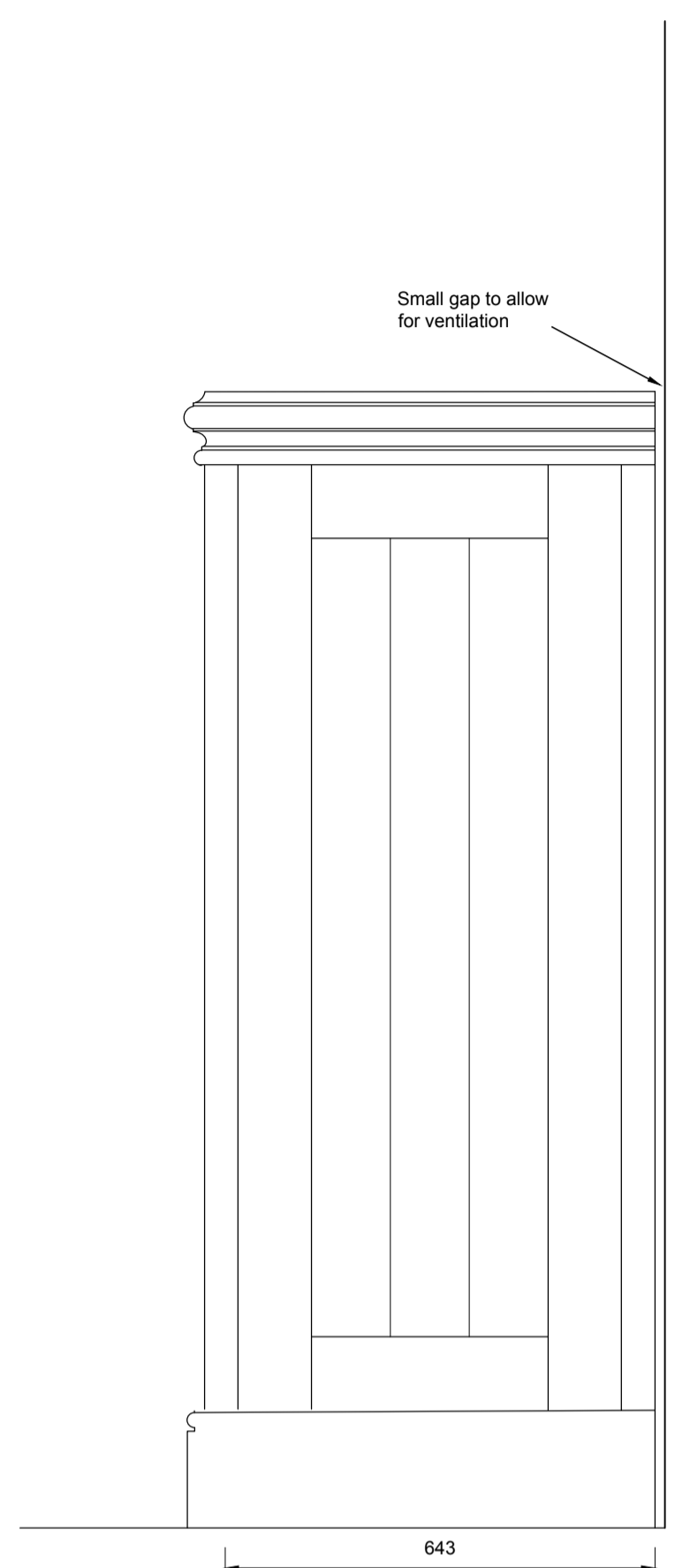
MOBILE UNIT - SECTION
Scale: 1:10



MOBILE UNIT - VIEW TO RAMP
Scale: 1:10

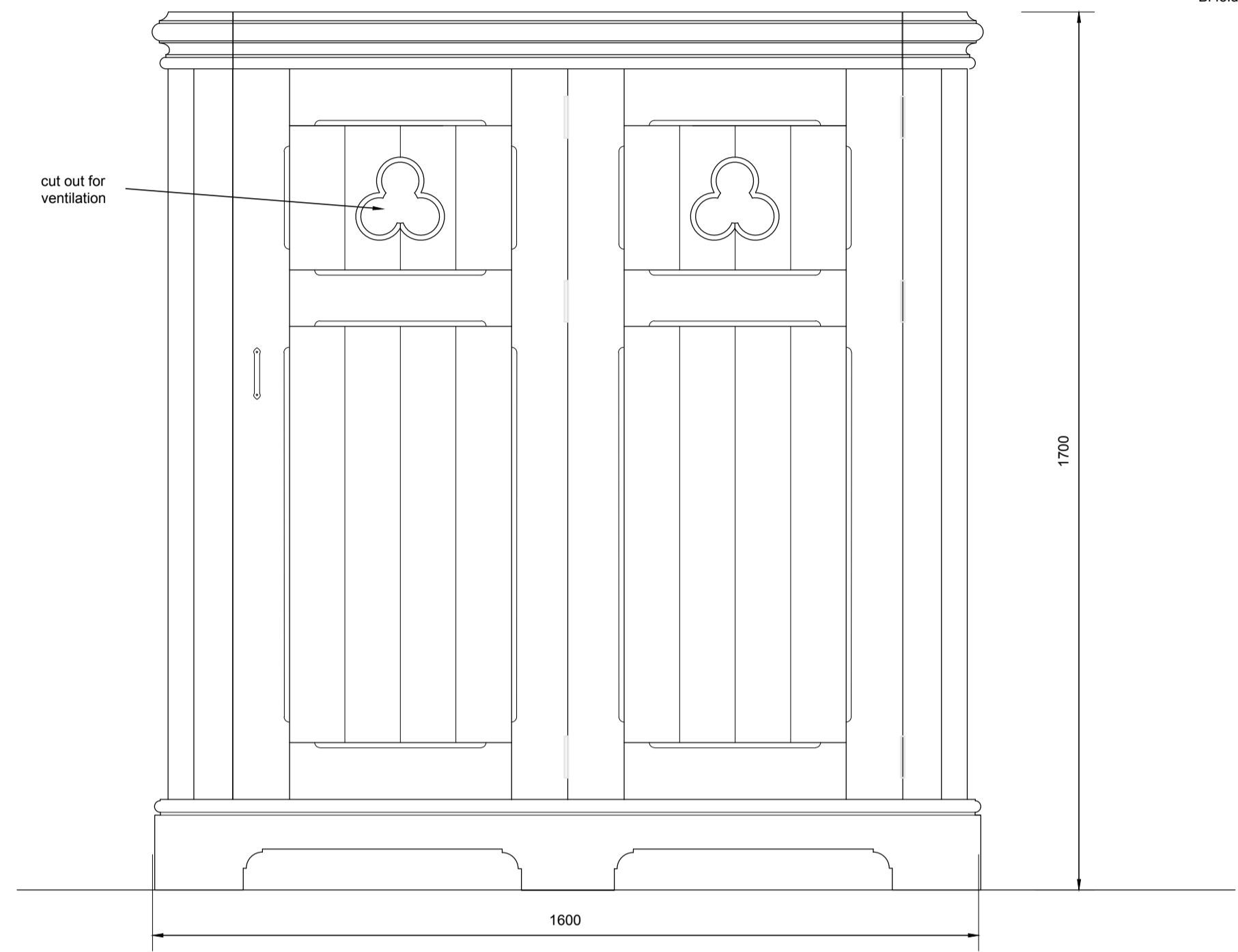


MOBILE UNIT - FRONT & SIDE ELEVATIONS
Scale: 1:10



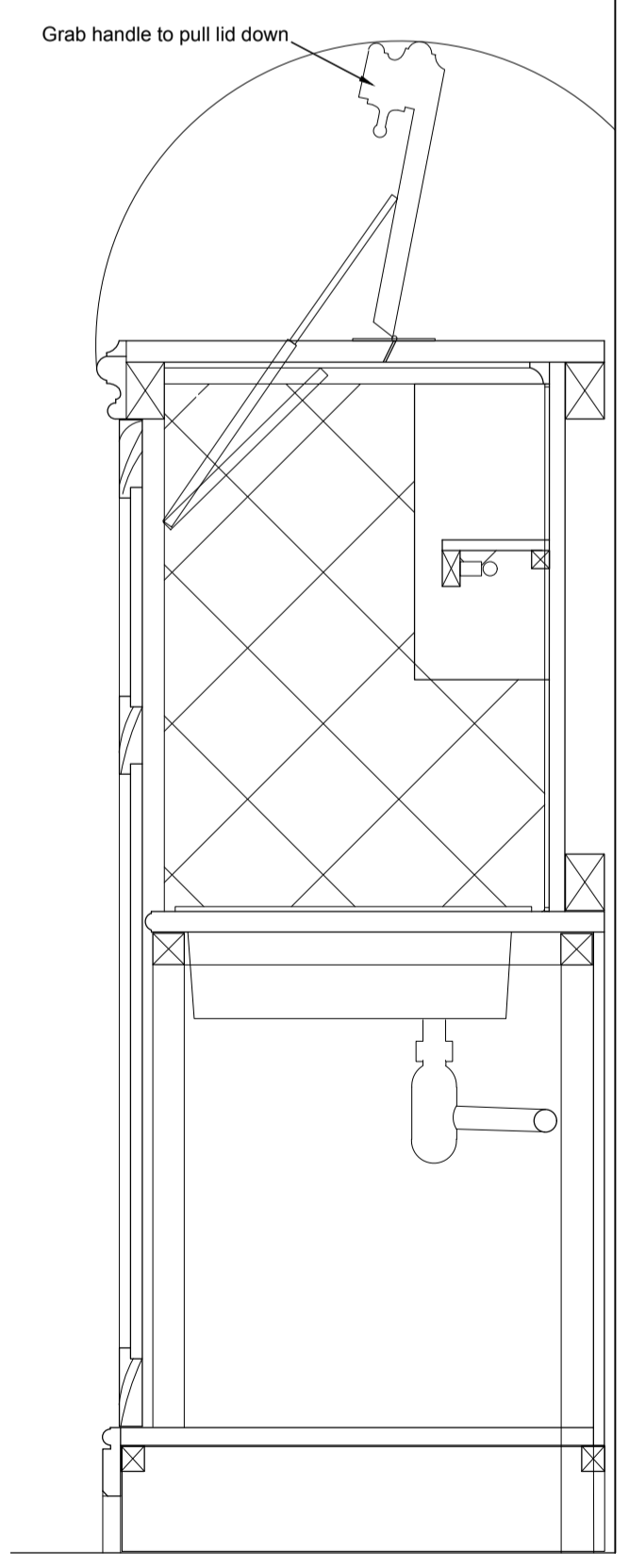
SIDE ELEVATION
Scale: 1:50

Build up sides with 115x50 oak frame, rebated to take 15mm panels

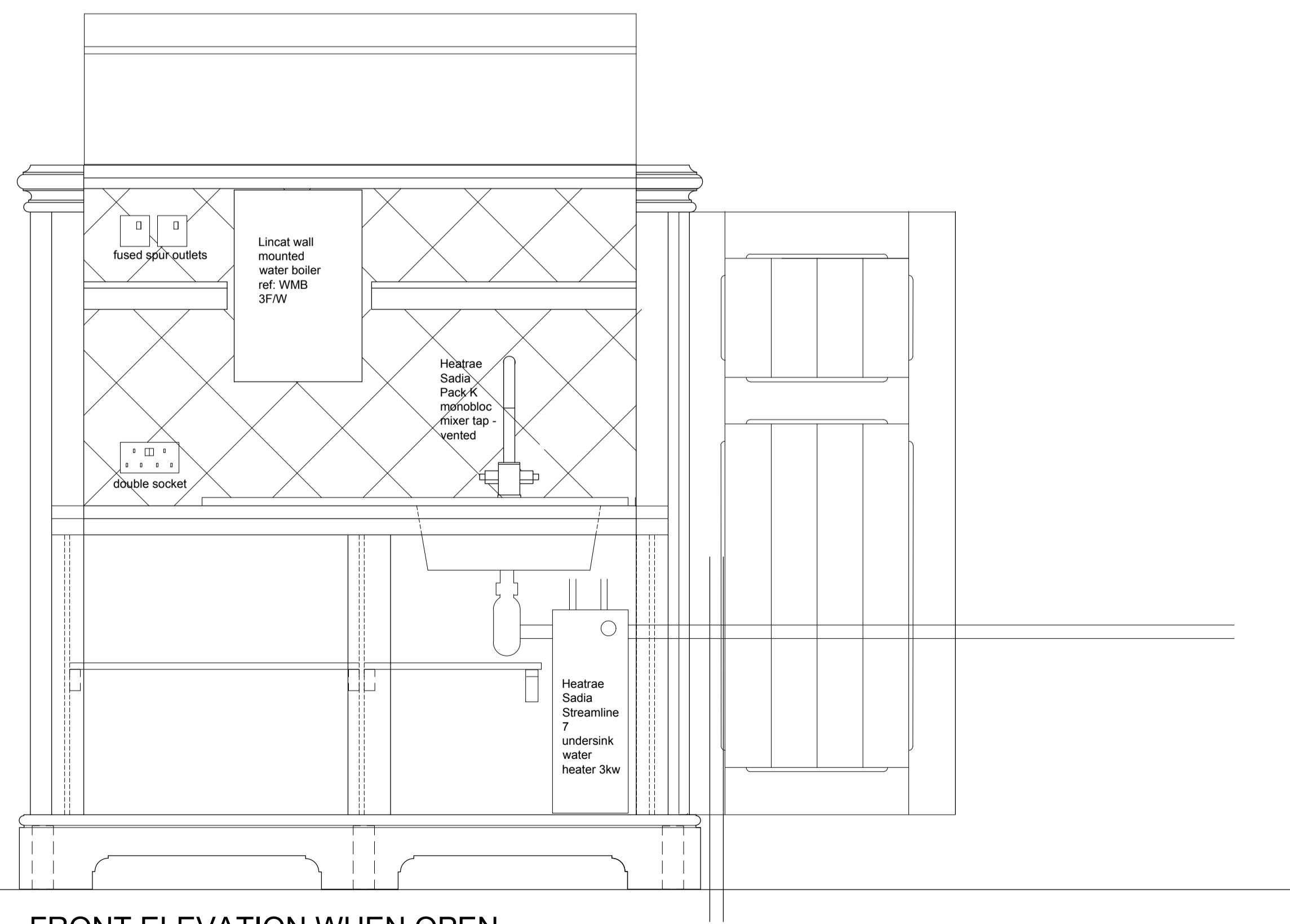
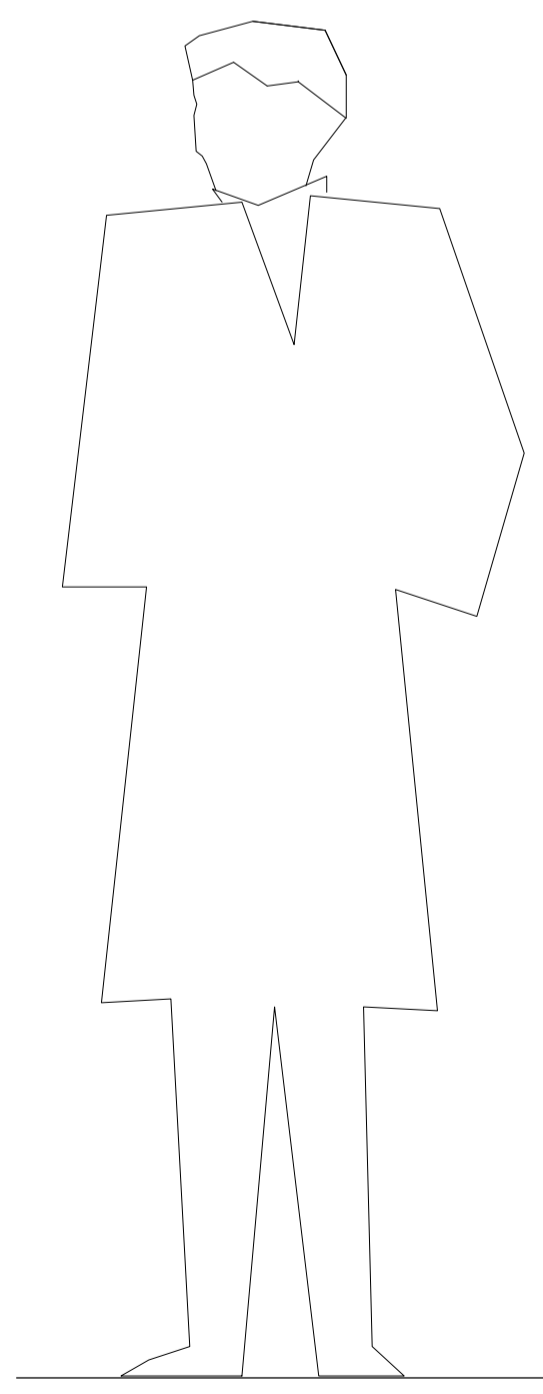


FRONT ELEVATION WHEN CLOSED
Scale: 1:10

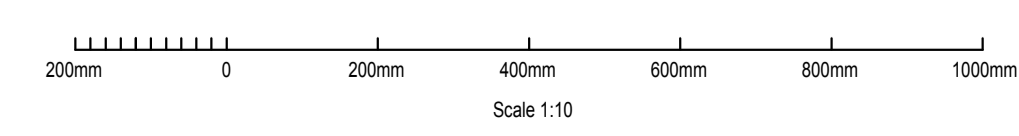
cut out for ventilation



SECTION
Scale: 1:50



FRONT ELEVATION WHEN OPEN
Scale: 1:10



Scale 1:10

DAVIDWHYMARK
ARCHITECTURE & CONSERVATION
The Studio, Stackwood Road, Polstead, Colchester CO6 5BA
Tel & Fax: 01473 827200 Mobile: 07976 763230
E-mail: info@suffolk-architects.com Website: www.suffolk-architects.com

Client: The PCC of St Mary's Church, Great Blakenham
Project: Vestry Re-ordering & New Kitchen
Title: Kitchen Cabinet Details

Revisions: A Mobile unit amended. Bi fold doors added to kitchen cabinet.
B Water heater & taps amended

Date: 20.09.2017
Aug 17
MI
Scale(s): 1:10cat A1
Drawing no: 04A

Do not scale from this drawing